

## PROPER PACKING AND USE

The bottom of this bag is curved to conform to various passenger seat pillions. Pack soft items in the bottom of the bag to allow the bottom to bend so it comes in complete contact with the passenger pillion. Do not over pack this bag. If filled with too much cargo, the bottom will bulge and will not arch over the pillion properly.

All four tie-down straps must be used to secure the bag to the motorcycle. Each strap has a loop sewn on the end so the strap can be looped around a strong anchor point. Each motorcycle is designed differently. Use good rider judgement to locate strong anchor points that allow the bag to attach to the motorcycle without touching the hot exhaust system and the bag will not shift position when you push it in any direction with your hand. 2 portable D-rings are supplied for attaching the bag to the motorcycle. See one method of attachment below. If you remove anything from the bag during your trip, tighten the tie-down straps immediately. Check to be sure the bag is tight and centered on the pillion at each rest or fuel stop.

**CLEAR FILM:** The tie-down straps and connecting buckles may touch your motorcycle paint. You will find clear adhesive film inside the bag. You can cut this film to the proper size and stick it on your painted surfaces to avoid tie-down strap or buckle chafing.

## WARNING

The loaded bag must be attached tightly to the motorcycle so it will not shift while riding. Do not over pack and bulge the bottom of the bag. It must conform to the curvature of the passenger seat pillion. Be sure all 4 tie-down straps are securely tightened so the bag is **tightly centered** on the passenger pillion, does not come in contact with hot exhaust system and does not shift in any direction when pushed with your hand. After attaching all 4 tie-down straps, all loose strap ends must **be securely tied off** or cut to length so they do not get caught in moving parts of the motorcycle. If cut, seal the strap ends with a flame. **Before riding**, make sure the 4 anchor straps do not interfere with foot pegs and control levers used for safe operation of the motorcycle.

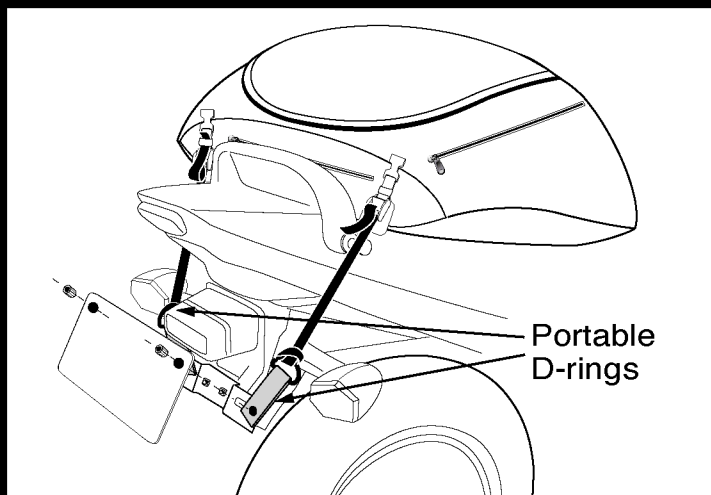
**If the bag shifts during operation or loose tie-down straps become entangled in moving parts of the motorcycle, you could lose control of the motorcycle and suffer serious or fatal injuries.**

Use only as directed. Improper use or use other than directed voids the warranty. If you have any questions about how to properly attach this bag, **before riding**, contact your authorized motorcycle dealer or call us for information at (800) 957-6288 in the continental United States or Canada and (714) 957-6288 from other locations. [www.T-Bags.com](http://www.T-Bags.com)

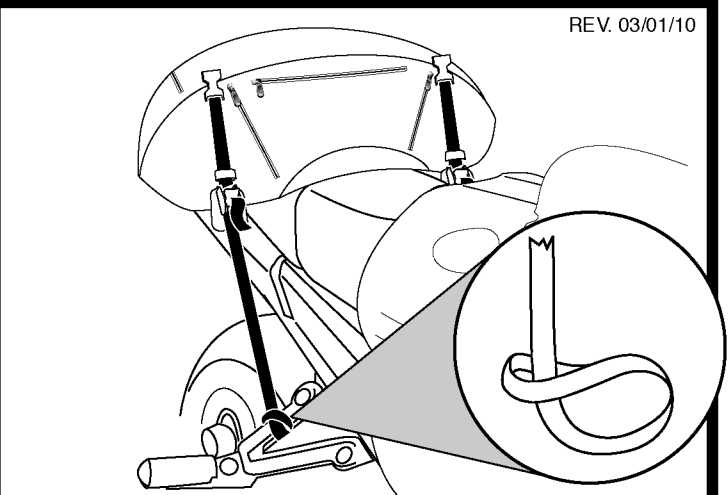
A bungee bottom rain cover is included with the Falcon bag and the tie-down straps must be threaded through the holes in the rain cover that are marked with reflective material. Avoid mildew odors by allowing the rain cover to dry before storage.

**NOTICE:** When purchased through an authorized T-Bags dealer, all CDL ENTERPRISES, LTD., products are warranted to be free from all manufacturing defects in materials and workmanship for the normal life of the product. This Lifetime Warranty does not cover damage resulting from abuse, neglect, improper use, or normal wear and tear. CDL ENTERPRISES, LTD., its distributors and dealers issue no warranty and assume no liability for damage caused by use of this product other than as recommended.

### BACK STRAPS



### FRONT STRAPS



### FALCON TOP BAG (sold separately)

This bag is designed to be used on top of the Falcon bag only. It cannot be used on your motorcycle without the Falcon bag under it. Attach the bag as shown in the picture. This top bag is designed to add storage capacity and as a top net that can be used to store your leather jacket under during your travels. When storing jackets or other items under the top bag, lay the item across the bag so each end sticks out well past the straps on each side. Be sure to tighten the straps very tight so whatever is stored under the top bag cannot shift, move or fall out during your ride.

NOTE: If items are removed from the underlying Falcon bag, it must be re-tightened on the motorcycle AND the top bag must be checked to make sure its straps are adjusted tightly if anything is stored under it. It is your responsibility to make sure anything stored between the Falcon bag and the top bag is tightly stored and will not be lost during your journey.

**Check to be sure the bag(s) are tight and centered on the pillion at rest or fuel stop.**

## WARNING

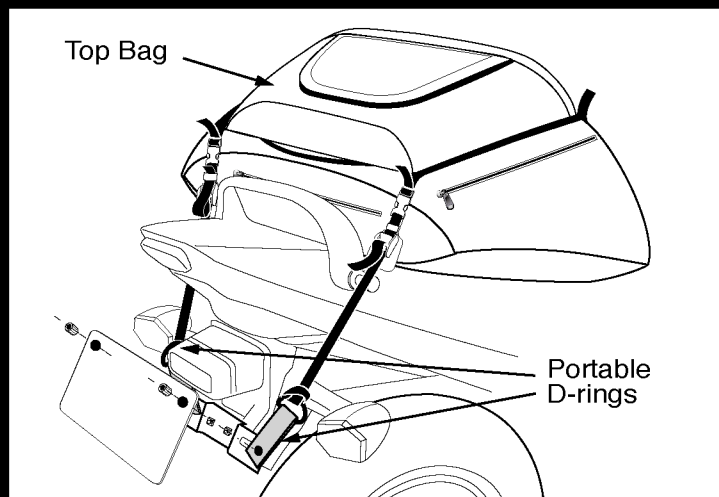
If you are using the Falcon bag AND the top bag, read the instruction label inside each bag. All tie-down straps on this bag combination must be securely tied off or cut to length so they do not get caught in moving parts of the motorcycle. If the Falcon and/or the top bag are improperly loaded and/or not tightly strapped down, they could shift positions or come loose during prudent motorcycle operation. **If the bag(s) shifts during operation or loose tie-down straps become entangled in moving parts of the motorcycle, you could lose control of the motorcycle and suffer serious or fatal injuries.**

Use only as directed. Improper use or use other than directed voids the warranty. If you have any questions about how to properly attach this bag, **before riding**, contact your authorized motorcycle dealer or call us for information at (800) 957-6288 in the continental United States or Canada and (714) 957-6288 from other locations. [www.T-Bags.com](http://www.T-Bags.com)

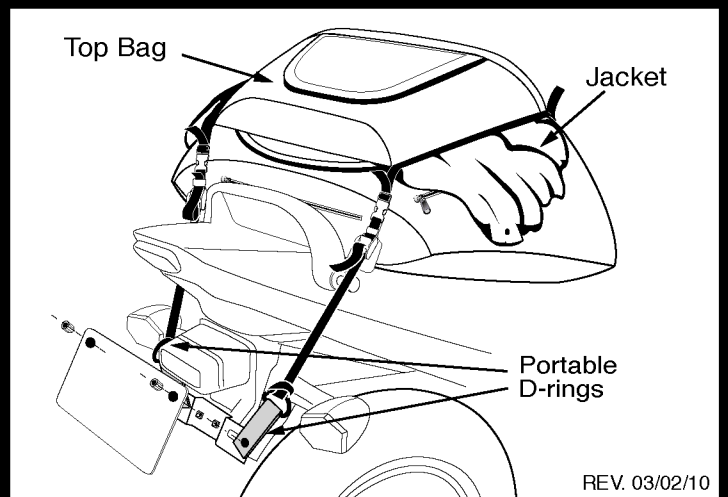
A bungee bottom rain cover is included with the Falcon bag and the tie-down straps must be threaded through the holes in the rain cover that are marked with reflective material. Avoid mildew odors by allowing the rain cover to dry before storage.

**NOTICE:** When purchased through an authorized T-Bags dealer, all CDL ENTERPRISES, LTD., products are warranted to be free from all manufacturing defects in materials and workmanship for the normal life of the product. This Lifetime Warranty does not cover damage resulting from abuse, neglect, improper use, or normal wear and tear. CDL ENTERPRISES, LTD., its distributors and dealers issue no warranty and assume no liability for damage caused by use of this product other than as recommended.

### TOP BAG



### EASY JACKET STORING



REV. 03/02/10